

# Maxi

Maxi is an especially robust, uncomplicated and user-friendly system for larger and heavier electrodes and workpieces. The chucks are of the fishtail type with three references. Mounting of accessories is a rapid, single, two-handed operation.

- Repetition accuracy within 0.01 mm
- Recommended maximum weight 500 kg.

## ADVANTAGES

- Reduces set-up times
- Is user-friendly
- Gives access to a large part of System 3R's product range

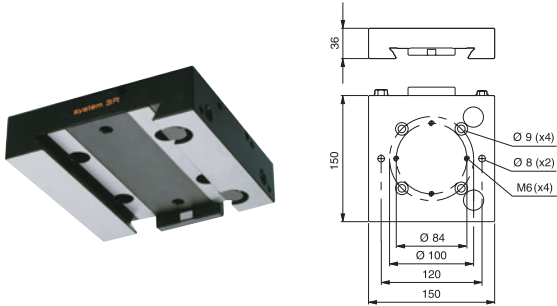


# Maxi – Chuck & pallet

## Manual chuck, 3R-27.2

For mounting on the machine spindle or on a machine table.

- Immersible
- Maximum electrode weight 500 kg
- Mechanical locking
- Weight 5 kg.



## Pallet 150x150 mm, 3R-29.2

Pallet with 16 clearance holes for M6 screws and eight M6 threads.

- Hardened
- Weight 4.6 kg.

